

WELDED CONNECTIONS

- BH1000 - WELDED JOIST CONNECTION AT RAFTERS
- BH1010 - WELDED STRUT JOIST CONNECTIONS
- BH1100 - NEW JOIST TIE-IN CONNECTION TO EXISTING END FRAME
- BH1200 - INTERIOR ROOF JOIST AT STRUCTURAL EXPANSION

BOLTED CONNECTIONS

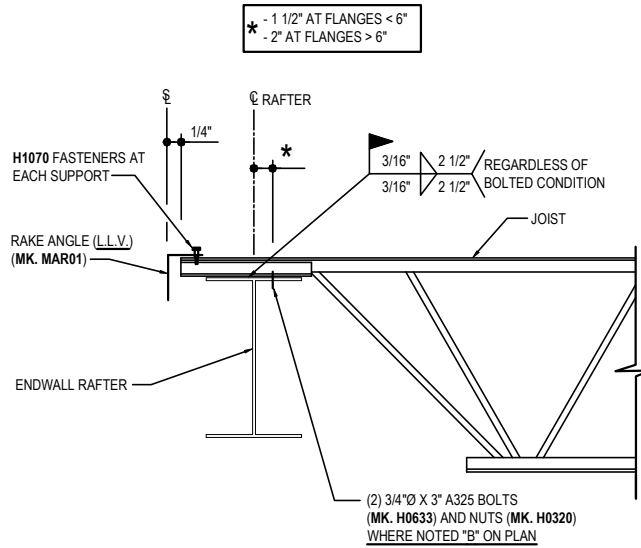
- BH2000 - BOLTED JOIST CONNECTION AT RAFTERS
- BH2010 - BOLTED STRUT JOIST CONNECTION AT RAFTERS (WITH 3/4Ø BOLTS)
- BH2020 - BOLTED STRUT JOIST CONNECTION AT RAFTERS (WITH WELD)
- BH2100 - NEW JOIST TIE-IN CONNECTION TO EXISTING END FRAME
- BH2200 - INTERIOR ROOF JOIST AT STRUCTURAL EXPANSION

MASONRY CONNECTIONS

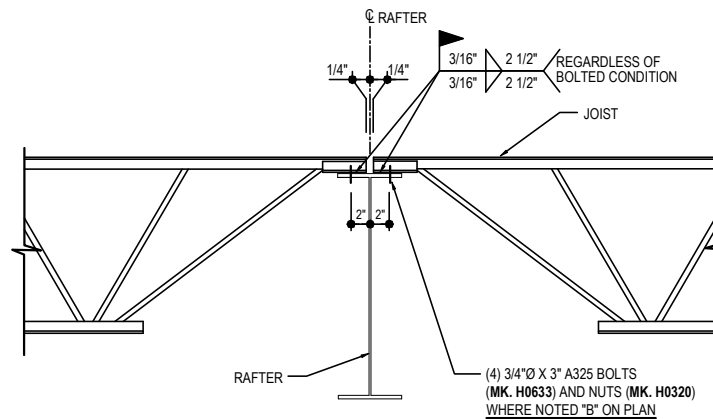
- BH3000 - JOIST CONNECTION AT MASONRY END SUPPORT
 - BH3010 - JOIST CONNECTION AT MASONRY INTERIOR SUPPORT
-

BH1000 - WELDED JOIST CONNECTION AT RAFTERS

[Download the DWG file by clicking here.](#)



END FRAME CONDITION



INTERIOR CONDITION

JOIST CONNECTION DETAIL

LONGSPAN WELDED ROOF JOIST SYSTEM
REFERENCE ERECTOR NOTE FOR TYPICAL WASHER REQUIREMENTS

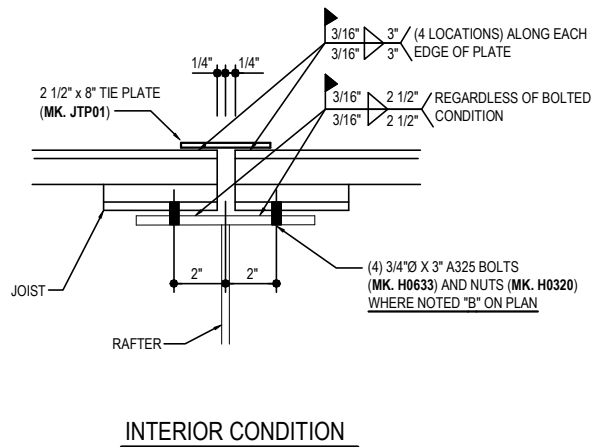
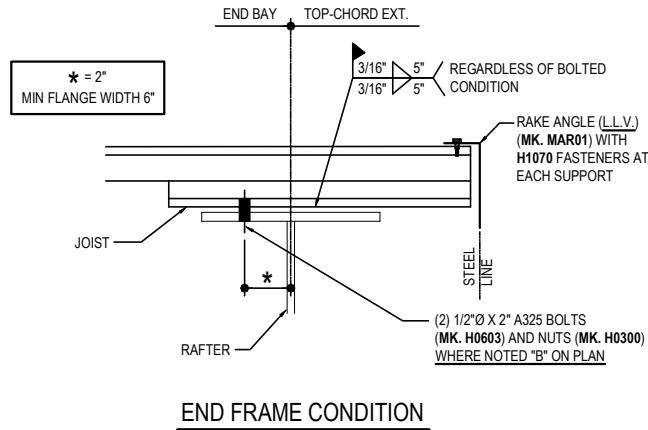
BH1000

Detailer Notes:

- 1) N/A

BH1010 - WELDED STRUT JOIST CONNECTIONS

[Download the DWG file by clicking here.](#)



FOR WELDED ROOF JOIST SYSTEM.
APPLIES ONLY TO LOCATIONS DESIGNATED
WITH RELATED SQUARE SYMBOL.



STRUT JOIST CONNECTIONS

LONGSPAN WELDED ROOF JOIST SYSTEM
REFERENCE ERECTOR NOTE FOR TYPICAL WASHER REQUIREMENTS

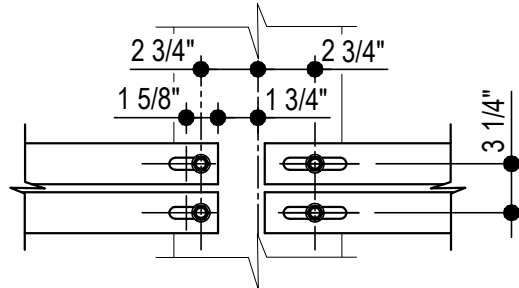
BH1010

Detailer Notes:

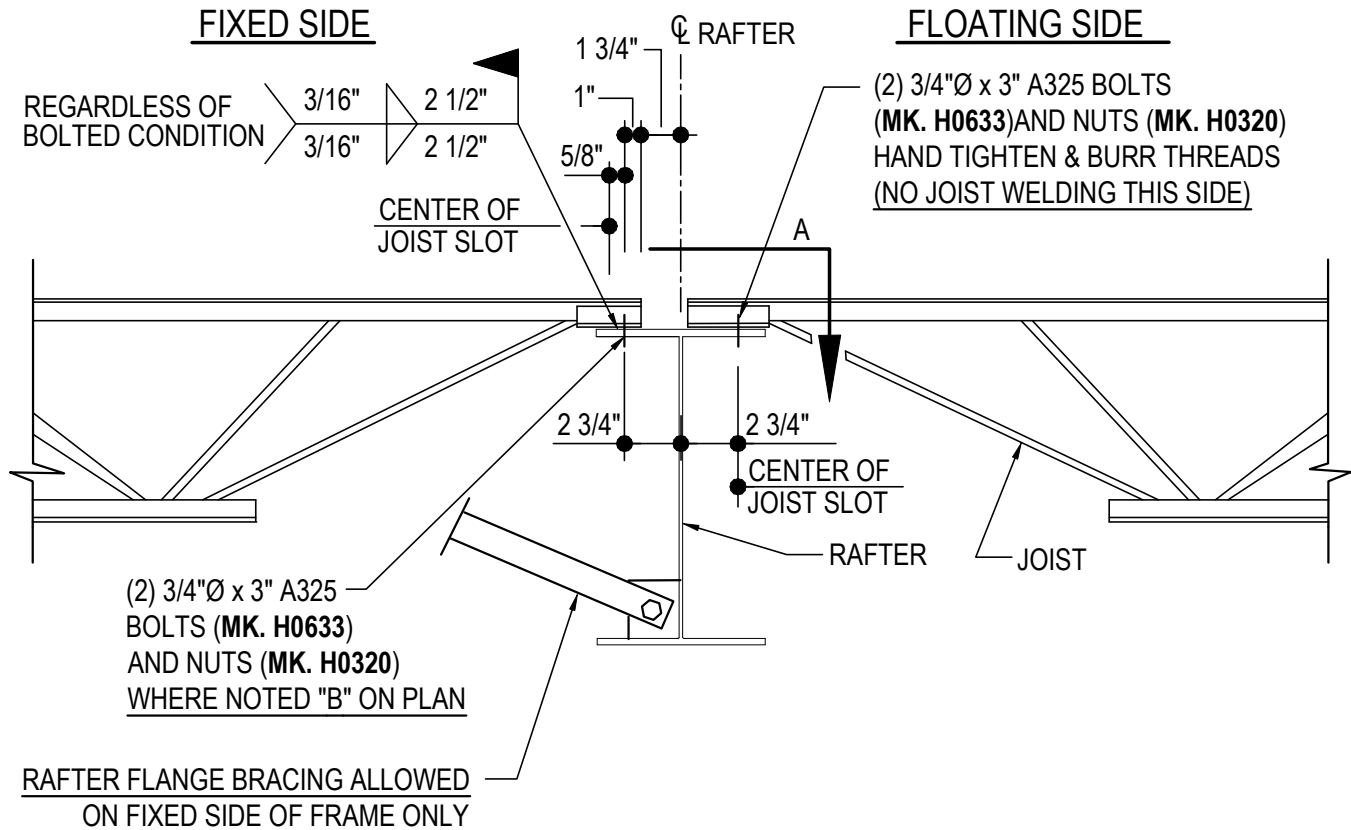
1) N/A

BH1200 - INTERIOR ROOF JOIST AT STRUCTURAL EXPANSION

[Download the DWG file by clicking here.](#)



SECTION A



INTERIOR JOIST CONNECTION DETAIL

LONGSPAN ROOF JOIST AT STRUCTURAL EXPANSION (WELDED SYSTEM)
REFERENCE ERECTOR NOTE FOR TYPICAL WASHER REQUIREMENTS

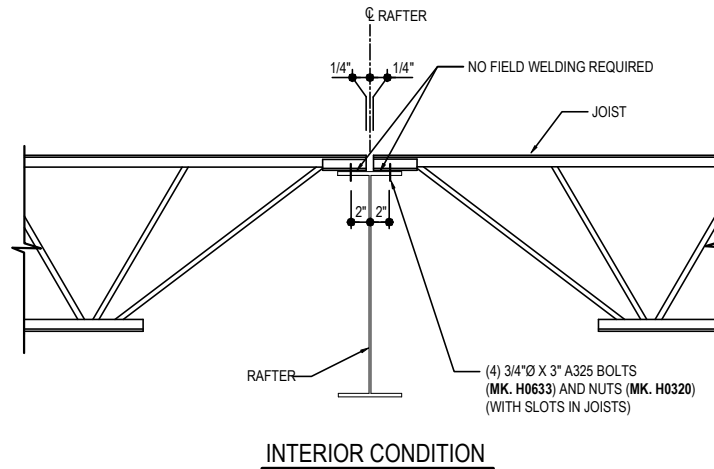
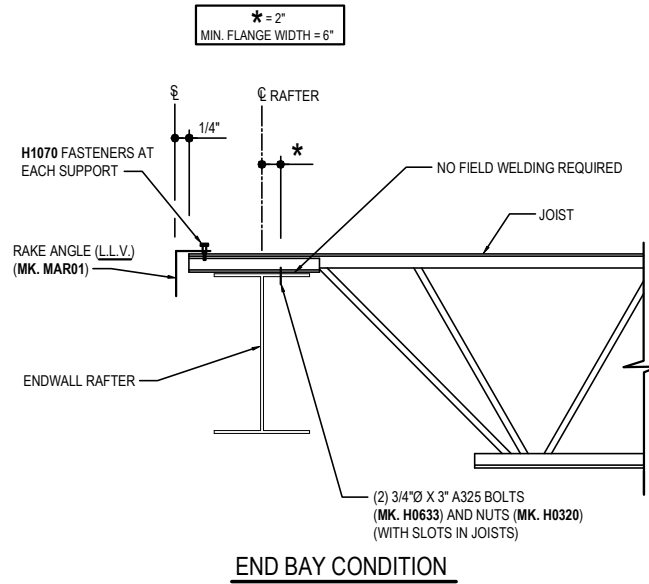
BH1200

Detailer Notes:

- 1) THIS CONDITION WILL ALWAYS REQUIRE COORDINATION WITH VULCRAFT. SEE DETAILING PROCEDURE MANUAL FOR FURTHER INFORMATION.

BH2000 - BOLTED JOIST CONNECTION AT RAFTERS

[Download the DWG file by clicking here.](#)



JOIST CONNECTION DETAIL

LONGSPAN BOLTED ROOF JOIST SYSTEM
 REFERENCE ERECTOR NOTE FOR TYPICAL WASHER REQUIREMENTS

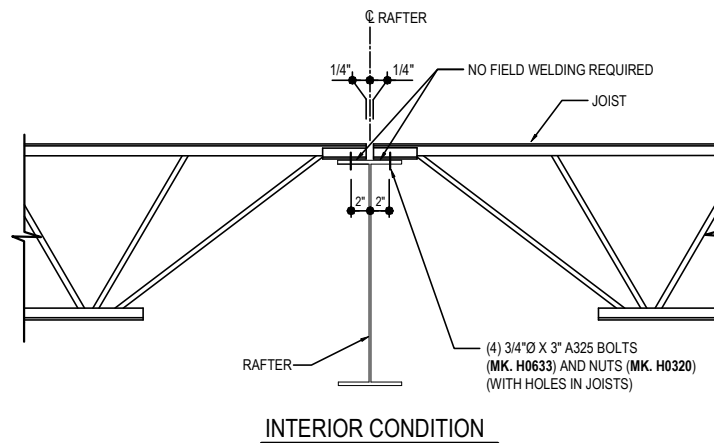
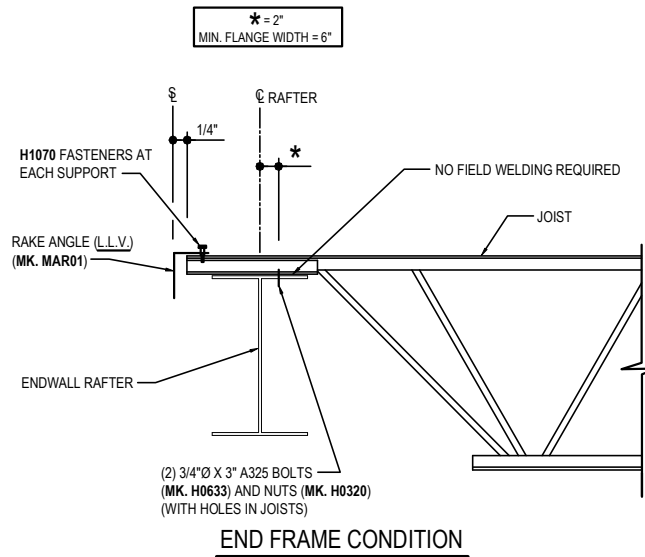
BH2000

Detailer Notes:

- 1) THIS IS OUR STANDARD BOLTED JOIST CONNECTION WITH SLOTS IN THE JOISTS.

BH2010 - BOLTED STRUT JOIST CONNECTION AT RAFTERS (WITH 3/4Ø BOLTS)

[Download the DWG file by clicking here.](#)



FOR BOLTED ROOF JOIST SYSTEM.
 APPLIES ONLY TO LOCATIONS DESIGNATED
 WITH RELATED TRIANGLE SYMBOL.



STRUT JOIST CONNECTION DETAIL

LONGSPAN BOLTED ROOF JOIST SYSTEM
 REFERENCE ERECTOR NOTE FOR TYPICAL WASHER REQUIREMENTS

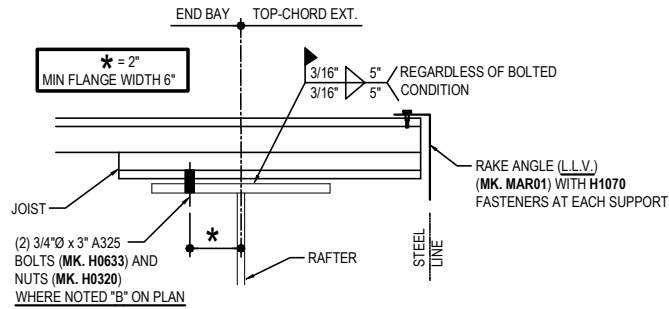
BH2010

Detailer Notes:

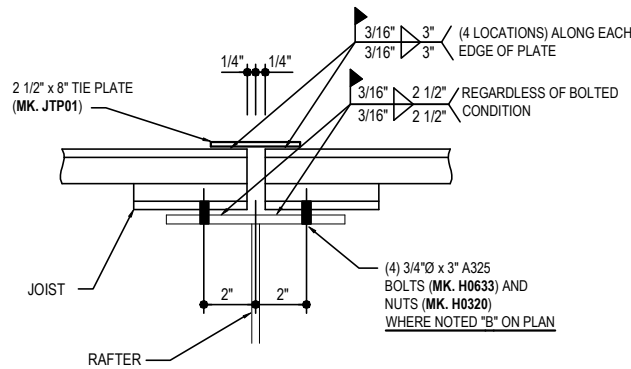
- 1) THE DIFFERENCE BETWEEN DETAILS BH2000 AND BH2010, ARE THE HOLES IN THE JOIST FOR THE STRUT CONDITION FOR DETAIL BH2010.

BH2020 - BOLTED STRUT JOIST CONNECTION AT RAFTERS (WITH WELD)

[Download the DWG file by clicking here.](#)



END FRAME CONDITION



INTERIOR CONDITION

FOR BOLTED ROOF JOIST SYSTEM.
APPLIES ONLY TO LOCATIONS DESIGNATED
WITH RELATED SQUARE SYMBOL.



STRUT JOIST CONNECTIONS

LONGSPAN BOLTED ROOF JOIST SYSTEM WITH WELD AT RAFTER
REFERENCE ERECTOR NOTE FOR TYPICAL WASHER REQUIREMENTS

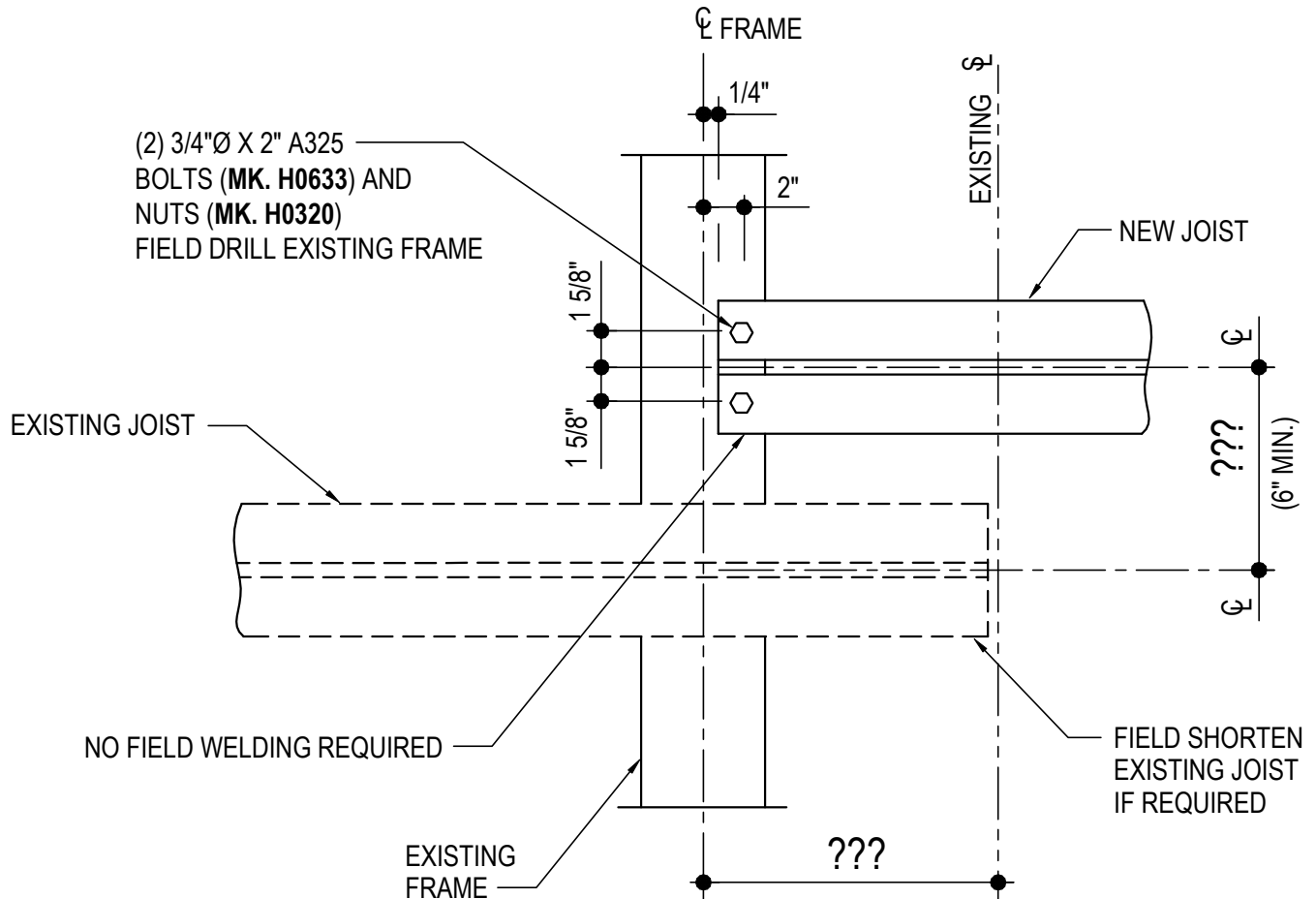
BH2020

Detailer Notes:

- 1) N/A

BH2100 - NEW JOIST TIE-IN CONNECTION TO EXISTING END FRAME

[Download the DWG file by clicking here.](#)



NEW JOIST TIE-IN CONNECTION TO EXISTING END FRAME

LONGSPAN ROOF JOIST AT EXISTING END FRAME (BOLTED SYSTEM)
REFERENCE ERECTOR NOTE FOR TYPICAL WASHER REQUIREMENTS.

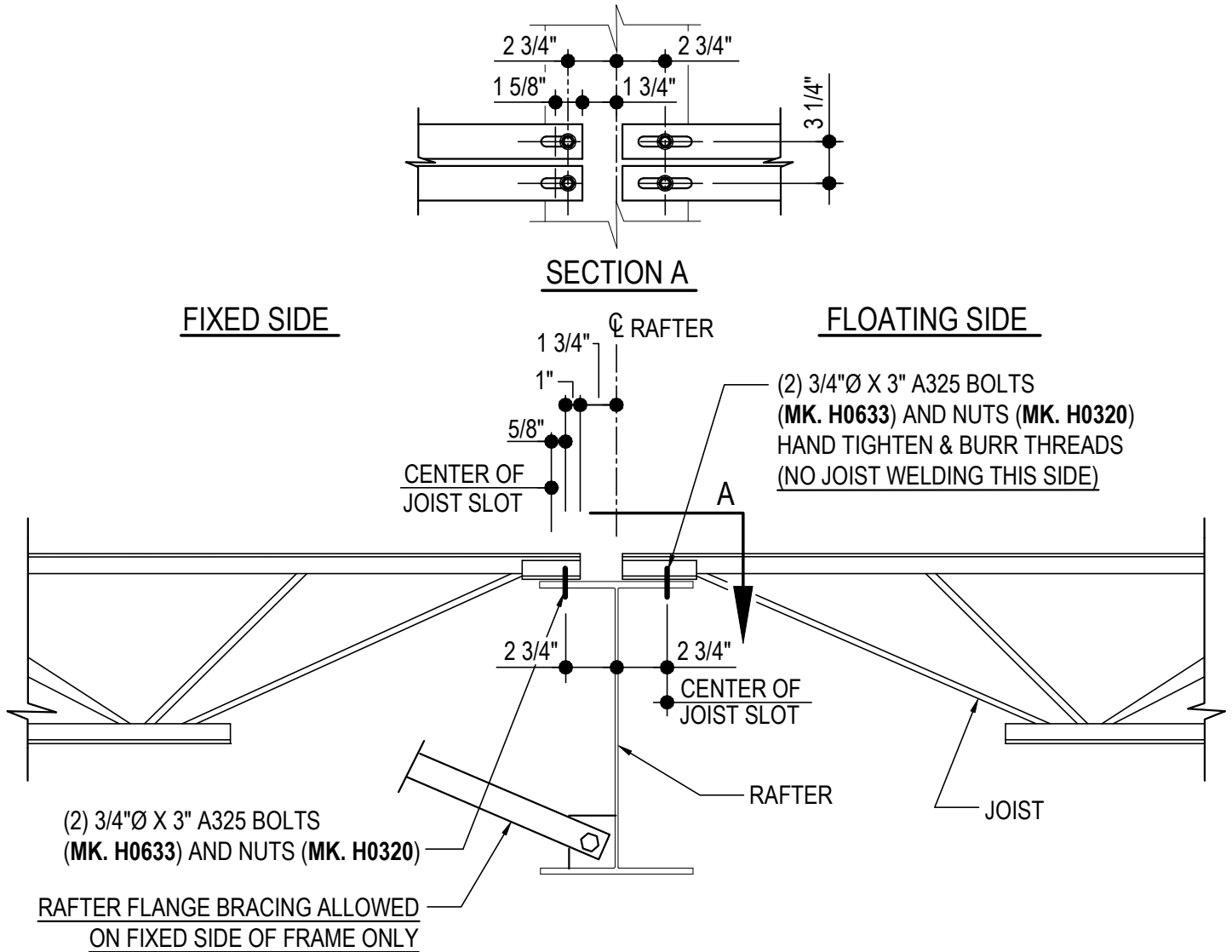
BH2100

Detailer Notes:

- 1) THIS DETAIL UTILIZES ATTRIBUTES. TO ACCESS ATTRIBUTES DOUBLE CLICK ON THE DETAIL.

BH2200 - INTERIOR ROOF JOIST AT STRUCTURAL EXPANSION

[Download the DWG file by clicking here.](#)



INTERIOR JOIST CONNECTION DETAIL

LONGSPAN ROOF JOIST AT STRUCTURAL EXPANSION (BOLTED SYSTEM)
REFERENCE ERECTOR NOTE FOR TYPICAL WASHER REQUIREMENTS

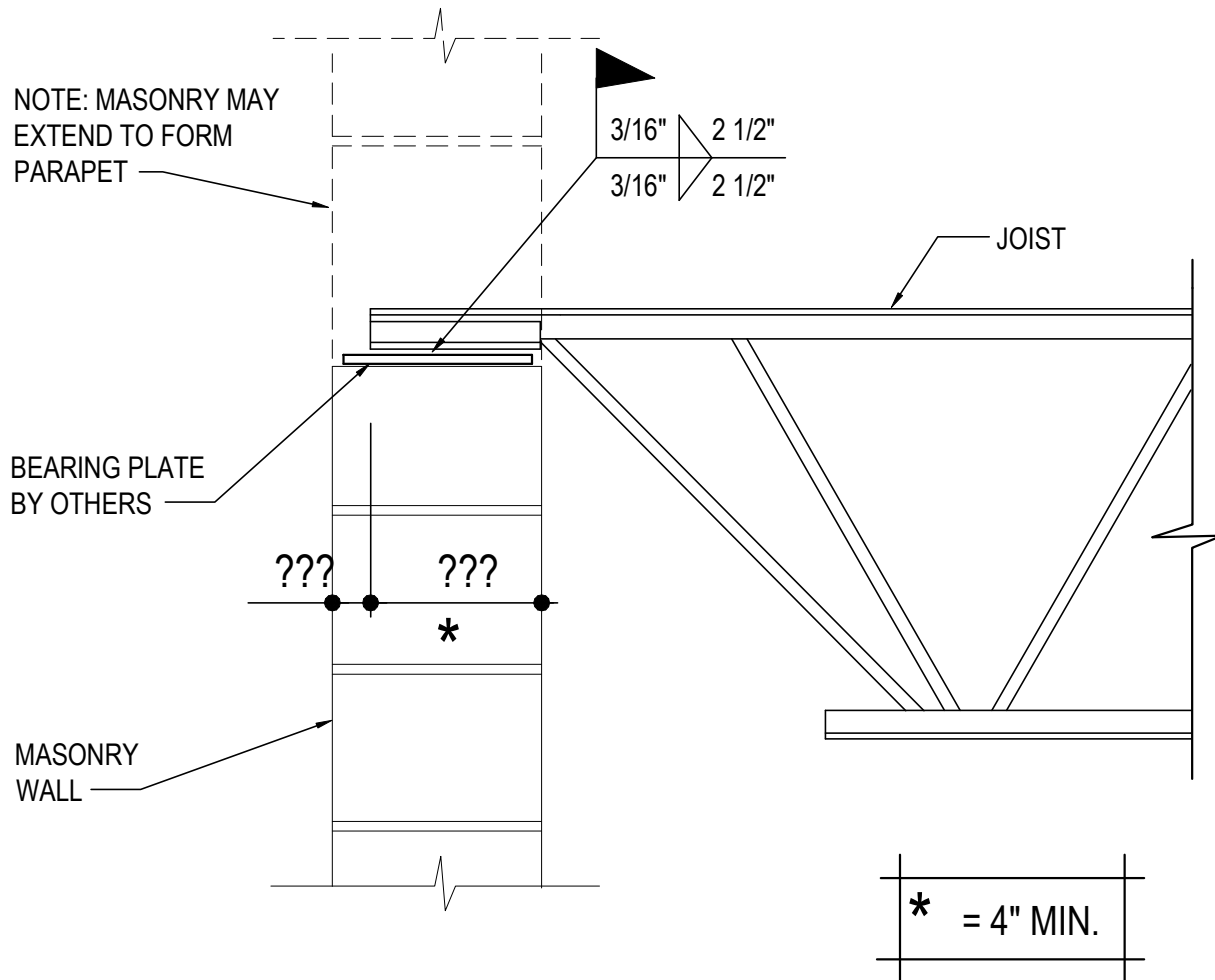
BH2200

Detailer Notes:

- 1) THIS CONDITION WILL ALWAYS REQUIRE COORDINATION WITH VULCRAFT. SEE DETAILING PROCEDURE MANUAL FOR FURTHER INFORMATION.

BH3000 - JOIST CONNECTION AT MASONRY END SUPPORT

[Download the DWG file by clicking here.](#)



JOIST CONNECTION DETAIL

LONGSPAN ROOF JOIST AT MASONRY END SUPPORT

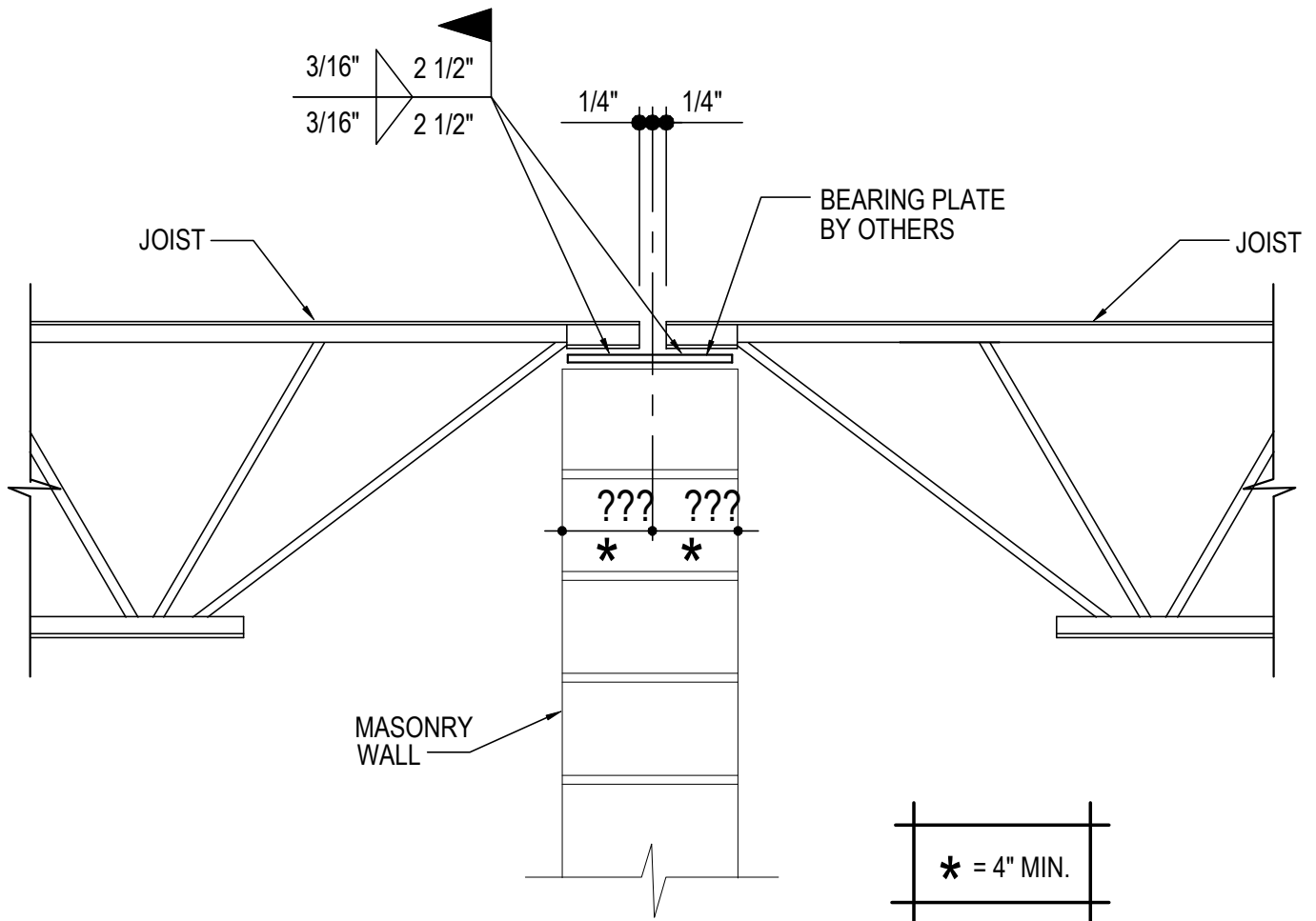
BH3000

Detailer Notes:

- 1) THIS DETAIL UTILIZES ATTRIBUTES. TO ACCESS ATTRIBUTES DOUBLE CLICK ON THE DETAIL.

BH3010 - JOIST CONNECTION AT MASONRY INTERIOR SUPPORT

[Download the DWG file by clicking here.](#)



JOIST CONNECTION DETAIL

LONGSPAN ROOF JOIST AT MASONRY INTERIOR SUPPORT

BH3010

Detailer Notes:

1) THIS DETAIL UTILIZES ATTRIBUTES. TO ACCESS ATTRIBUTES DOUBLE CLICK ON THE DETAIL.